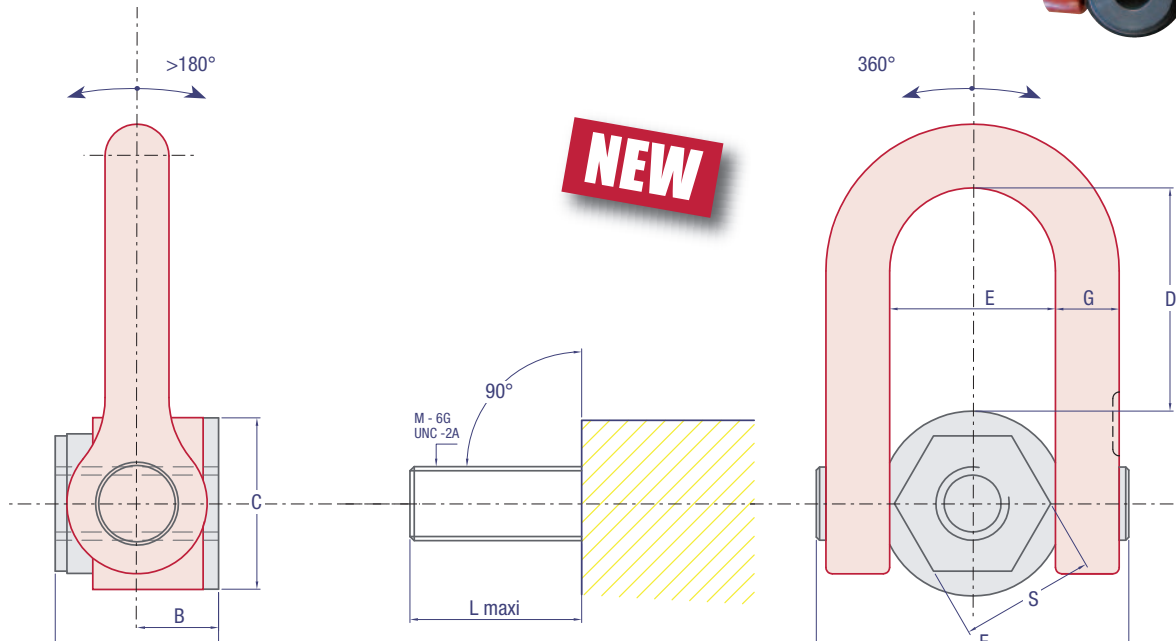


FE.DSS



NEW

Reference	WLL	Safety factor	Diameter	Ø	P	L maxi	$\frac{N.m}{Foot.LBS}$	S	A	B	C	D	E	F	G	Weight
FE.DSS M24	4,5 TO	5	M24 (x3)			66	160	50		31	70	104	73	145	29	5,8 Kg
FE.DSS M27	5 TO	5	M27 (x3)			66	200	50		31	70	104	73	145	29	5,8 Kg
FE.DSS M30	7,3 TO	5	M30 (x3.5)			66	250	50		31	70	104	73	145	29	5,8 Kg
FE.DSS M33	8 TO	5	M33 (x3.5)			66	250	50		31	70	104	73	145	29	5,8 Kg
FE.DSS M36	10 TO	5	M36 (x4)			66	320	50		31	70	104	73	145	29	5,8 Kg
FE.DSS M39	10 TO	5	M39 (x4)			89	320	60		38	95	125	91	184	33	12 Kg
FE.DSS M42	12,5 TO	5	M42 (x4.5)			89	400	60		38	95	125	91	184	33	12 Kg
FE.DSS M45	15 TO	4	M45 (x4.5)			89	400	60		38	95	125	91	184	33	12 Kg
FE.DSS M48	20 TO	4	M48 (x5)			89	600	60		38	95	125	91	184	33	12 Kg
FE.DSS M52	20 TO	4	M52 (x5)			89	600	60		38	95	125	91	184	33	12 Kg
FE.DSS U125	14,000 LBS	5	UNC 1"1/4-7			66	200 _{FL}	50		31	70	104	73	145	29	5,8 Kg
FE.DSS U138	20,000 LBS	5	UNC 1"3/8-6			66	300 _{FL}	50		31	70	104	73	145	29	5,8 Kg
FE.DSS U150	20,000 LBS	5	UNC 1"1/2-6			89	300 _{FL}	60		38	95	125	91	184	33	12 Kg
FE.DSS U200	50,000 LBS	4	UNC 2"-4 1/2			89	450 _{FL}	60		38	95	125	91	184	33	12 Kg

BRUGG