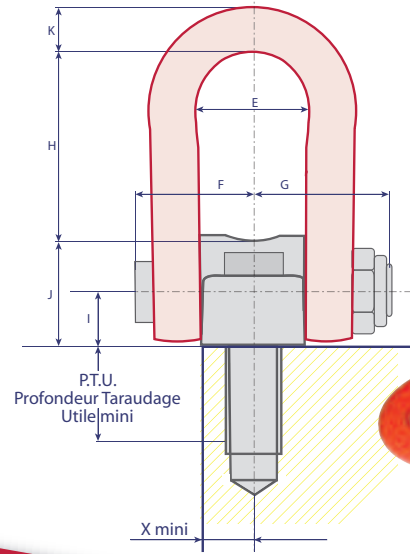
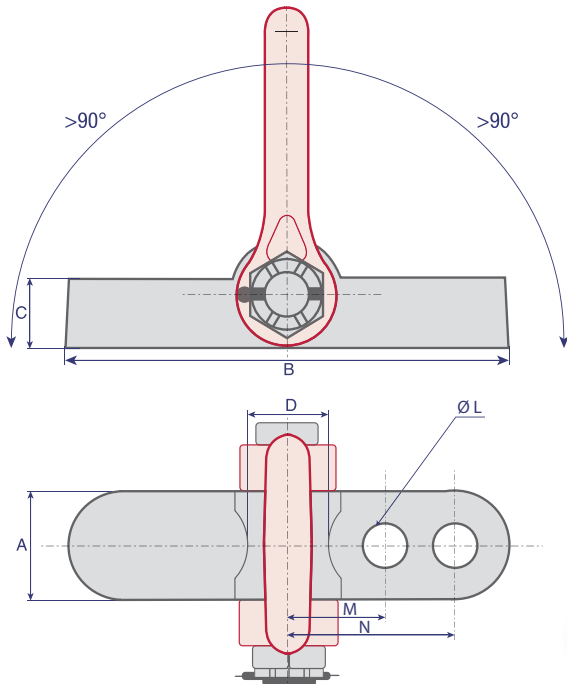
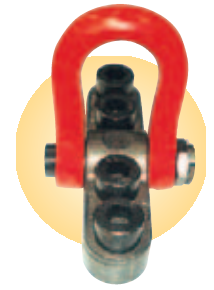


# CSS



**NEW**

Reference	WLL	mini	A	B	C	D	E	F	G	H	I	J	K	Weight
CSS 20	20,00 TO	40	80	220	50	62	90	88	98	132	38	76	41	12,7 Kg
CSS 32	32,25 TO	40	80	330	50	62	90	88	98	132	38	76	41	16,7 Kg
CSS 55	55,00 TO**	53	105	540	85		184	160	170	267	85	175	79,5	90 Kg

\*\*NEW: TO BE CERTIFIED



**BRUGG**