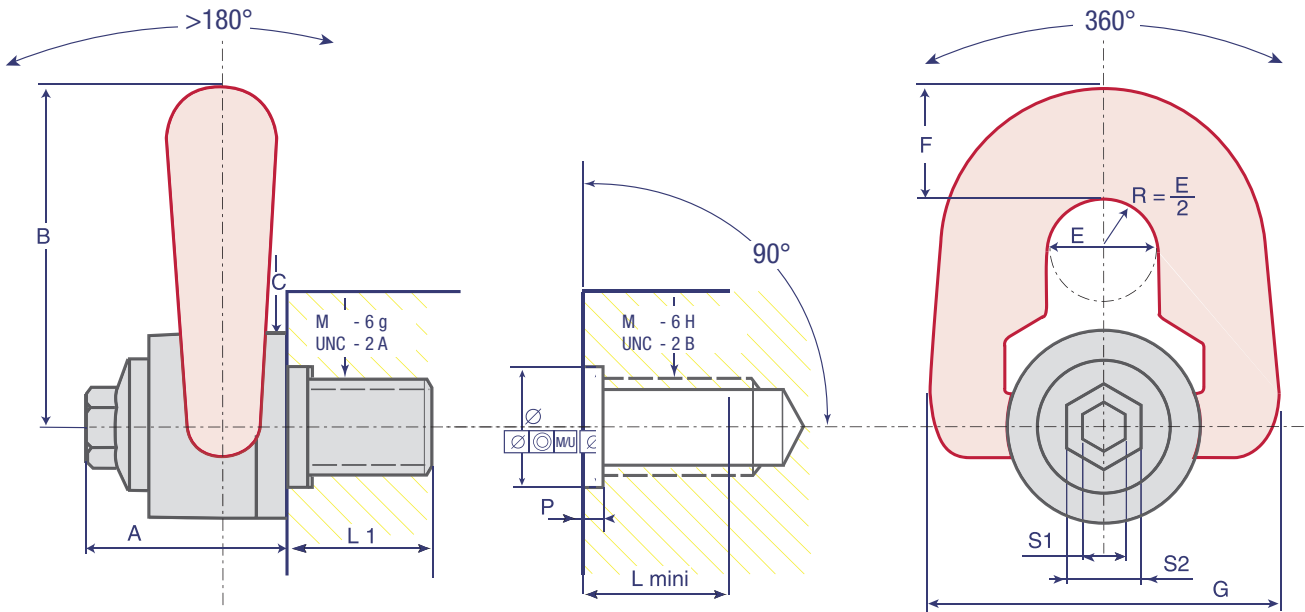


Reference	WLL	Safety factor	Diameter	Ø	P	Standard L1		S1	S2	A	B	C	E	F	G	Weight
DSP M 8	0,3 TO	5	M8 (x1,25)			14	6	8	16	33	56	30	19	19	58	0,3 Kg
DSP M 10	0,6 TO	5	M10 (x1,50)			17	10	8	16	33	56	30	19	19	58	0,3 Kg
DSP M 12	1 TO	5	M12 (x1,75)			21	15	8	16	33	56	30	19	19	58	0,3 Kg
DSP M 14*	1,3 TO	5	M14 (x2)			23	30	8	20	45	76	45	25	27	79	0,9 Kg
DSP M 16	1,6 TO	5	M16 (x2)			27	50	8	20	45	76	45	25	27	79	0,9 Kg
DSP M 18*	2 TO	5	M18 (x2,5)			27	70	8	20	45	76	45	25	27	79	1 Kg
DSP M 20	2,5 TO	5	M20 (x2,5)			30	100	8	20	45	81	45	25	27	79	1 Kg
DSP U 516	0,650 LBS	5	UNC 5/16"-18			15	7 _{FL}	5/16"	5/8"	33	56	30	19	19	58	0,3 Kg
DSP U 038	1,200 LBS	5	UNC 3/8"-16			17	8 _{FL}	5/16"	5/8"	33	56	30	19	19	58	0,3 Kg
DSP U 050	2,200 LBS	5	UNC 1/2"-13			21	12 _{FL}	5/16"	5/8"	33	56	30	19	19	58	0,3 Kg
DSP U 058	3,800 LBS	5	UNC 5/8"-11			24	40 _{FL}	5/16"	20	45	76	45	25	27	79	1 Kg
DSP U 075	5,500 LBS	5	UNC 3/4"-10			30	80 _{FL}	5/16"	20	45	76	45	25	27	79	1 Kg

DSP+C



Reference	WLL	Safety factor	Diameter	Ø	P	Standard L1	 N.m FootLBS	S1	S2	A	B	C	E	F	G	Weight
DSP+C M 8	0,3 TO	5	M8 (x1,25)	16 ^{+0,25} ₀	3 ⁺¹ _{+0,5}	14	6	8	16	33	56	30	19	19	58	0,3 Kg
DSP+C M 10	0,6 TO	5	M10 (x1,50)	20 ^{+0,25} ₀	3 ⁺¹ _{+0,5}	17	10	8	16	33	56	30	19	19	58	0,3 Kg
DSP+C M 12	1 TO	5	M12 (x1,75)	20 ^{+0,25} ₀	3 ⁺¹ _{+0,5}	21	15	8	16	33	56	30	19	19	58	0,3 Kg
DSP+C M 14*	1,3 TO	5	M14 (x2)	20 ^{+0,25} ₀	3 ⁺¹ _{+0,5}	23	30	8	20	45	76	45	25	27	79	0,9 Kg
DSP+C M 16	1,6 TO	5	M16 (x2)	20 ^{+0,25} ₀	3 ⁺¹ _{+0,5}	27	50	8	20	45	76	45	25	27	79	0,9 Kg
DSP+C M 18*	2 TO	5	M18 (x2,5)	30 ^{+0,30} ₀	3 ⁺¹ _{+0,5}	27	70	8	20	45	76	45	25	27	79	1 Kg
DSP+C M 20	2,5 TO	5	M20 (x2,5)	30 ^{+0,30} ₀	3 ⁺¹ _{+0,5}	30	100	8	20	45	81	45	25	27	79	1 Kg
DSP+C U 516	0,650 LBS	5	UNC 5/16"-18	20 ^{+0,25} ₀	3 ⁺¹ _{+0,5}	15	7 _{FL}	5/16"	5/8"	33	56	30	19	19	58	0,3 Kg
DSP+C U 038	1,200 LBS	5	UNC 3/8"-16	20 ^{+0,25} ₀	3 ⁺¹ _{+0,5}	17	8 _{FL}	5/16"	5/8"	33	56	30	19	19	58	0,3 Kg
DSP+C U 050	2,200 LBS	5	UNC 1/2"-13	20 ^{+0,25} ₀	3 ⁺¹ _{+0,5}	21	12 _{FL}	5/16"	5/8"	33	56	30	19	19	58	0,3 Kg
DSP+C U 058	3,800 LBS	5	UNC 5/8"-11	30 ^{+0,30} ₀	3 ⁺¹ _{+0,5}	24	40 _{FL}	5/16"	20	45	76	45	25	27	79	1 Kg
DSP+C U 075	5,500 LBS	5	UNC 3/4"-10	30 ^{+0,30} ₀	4 ⁺¹ _{+0,5}	30	80 _{FL}	5/16"	20	45	76	45	25	27	79	1 Kg