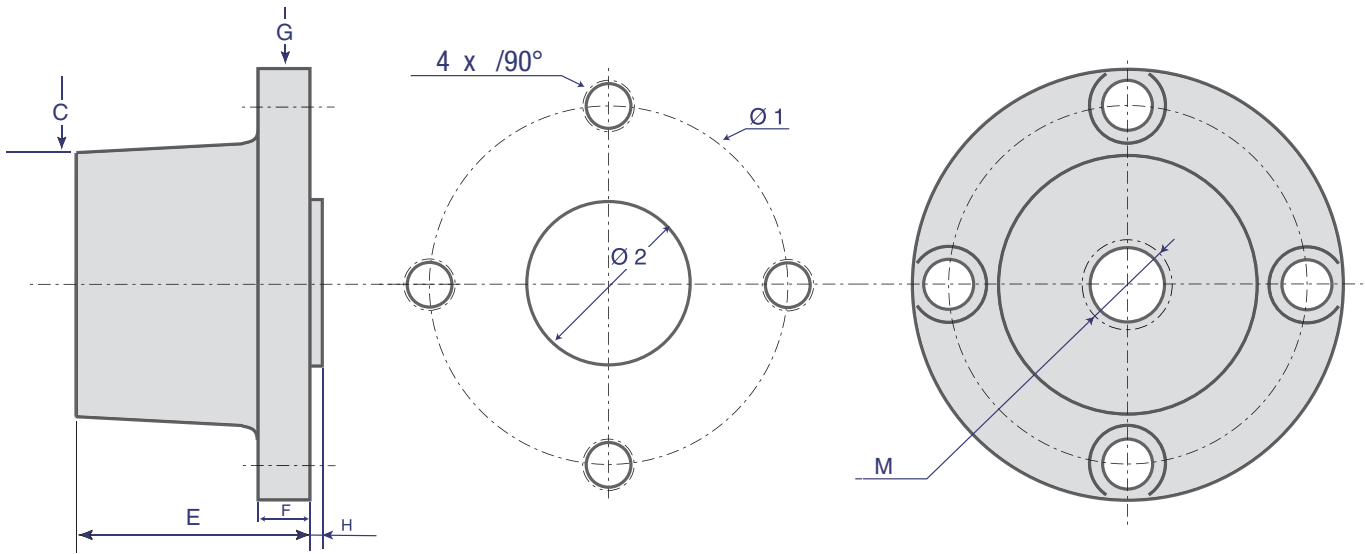


Reference	WLL	Safety factor	Diameter	Ø1	4 x	Ø2	H	A	B	C	D	E	F	G	Weight
OFT M 42	12,5 T0	5	M 42 (x4,5)	164	M 24					120		100	24	200	12 Kg

OFT+C



Reference	WLL	Safety factor	Diameter	Ø1	4 x	Ø2	H	A	B	C	D	E	F	G	Weight
OFT+C M 42	12,5 T0	5	M 42 (x4,5)	164	M 24	74 ^{+0,2} / _{+0,1}	5 ⁰ / _{-0,5}			120		100	24	200	12 Kg



BRUGG